

Office Products



EURO-MED[®] Instruments

**Precision engineered for
superb handling**

A complete line of instruments for office procedures:

- Biopsy Punches
- Endocervical and Endometrial Curettes
- Stainless Steel Specula, Endocervical Specula and Instruments
- Hooks and Tenacula
- Dilator Sets
- Lateral Wall Retractors

Superior balance

**Exceptional
handcraftsmanship**

Smooth action



@operSurgical

*Keeping You at the Forefront of
Women's Health Care™*

EURO-MED®

The first name in precision. The last word in excellence.

Go ahead – be a perfectionist.

Precision German engineering gives you the lasting performance you need for safe and accurate office procedures. The complete line of EURO-MED instruments represents German handcraftsmanship at its best. Durable and sleek, beautifully balanced for precision handling, these fine instruments put you in complete control. It's a difference you can feel. EURO-MED is an investment in excellence that pays back the practice many times over.

Advantages:

- Ergonomically designed for optimal comfort and control
- Precision handcrafted in our Tuttlingen, Germany facility
- Highest grade honed German stainless steel
- Imitated but never duplicated



For superb handling choose the ultimate sampling instruments.

EURO-MED Classic Series™ Biopsy Punches

Years of design and manufacturing expertise have created the optimal sampling device.

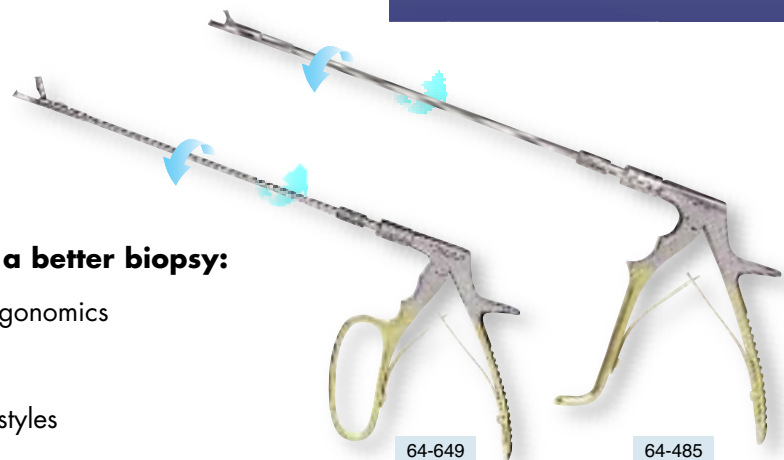
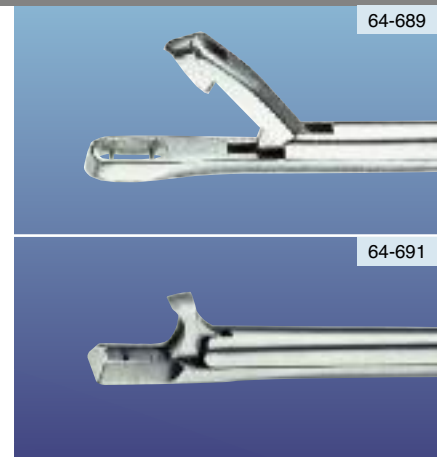
You're in control with:

- Comfortable, balanced design
- Smooth spring-loaded action
- 8 biopsy punch tip styles
- Shur-Lock™ closing mechanism to maintain tip integrity
- Complimentary 5-year sharpening included

EURO-MED® Rotating Biopsy Punches

Pick the best angle, and see your way clear to a better biopsy:

- 360° movement provides optimal visualization and ergonomics
- Long, balanced shaft ideal for obese patients
- Choose your handle and select from 8 attachable tip styles



Now superior performance is in the palm of your hand.

Endocervical and Endometrial Curettes

Look sharp:

- Efficient precision sampling that fits your style and patient needs
- Traditional Kevorkian designs, twist action Endocrette™ and other accommodating options



Endocervical Specula

Better handling:

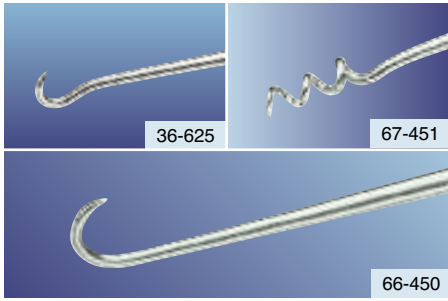
- Improves access to the recessed squamocolumnar junction
- Choose from 3 sizes in 3 handle styles: Screw/Knob handle for precise adjustment; No-Lock handle for complete freedom; or Standard Ratchet handle for easy release

Specula

The options you prefer:

- Many styles and sizes to meet your practice's needs, including Graves, with wider traditional blade; Pederson, with a thinner design; Collin, Open-sided and Auvard
- Wide yoke Vu-Max™ and Vu-More™ optimize your view and access
- Long-blades of The Snowman™ are a natural fit for cervical exposure in obese patients





Hooks and Tenacula

Optimal traction:

- Many styles including the popular Iris Hook and Emmett Tenaculum
- Improve stability, visibility and access

Dilator Sets

Smooth, gentle action:

- Mini, Small and Hank Dilators with rounded tips for added safety



Lateral Wall Retractors

Visibly better:

- Cer-View™ fits inside specula and expands beyond blades for unobstructed anatomical view
- Tru-View™, with longer, tapered blades, improves viewing and cervical access in obese patients

EURO-MED®

The first name in precision. The last word in excellence.

CooperSurgical

www.coopersurgical.com

95 Corporate Drive
Trumbull, CT 06611
800.243.2974
203.601.5200

To find out more about EURO-MED® Instruments, or to place an order call 800.243.2974.

Form Number: 81335 Rev. 1/08

Copyright © 2008 CooperSurgical